

SCALE 1:1

PATENT n.102019000018467
DESIGN n.015047366-0001

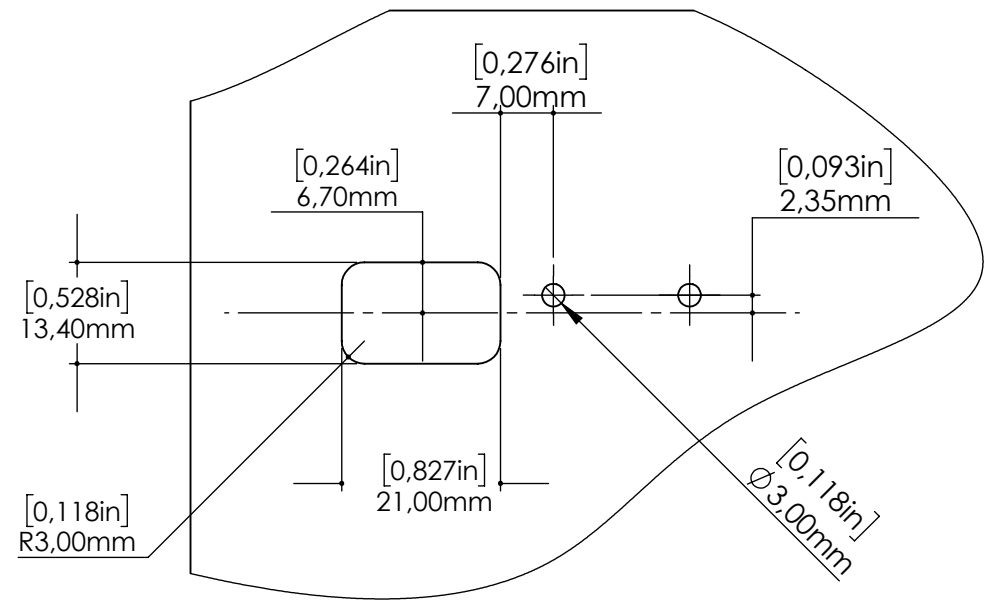
THIS DRAWING IS UNDER PROPERTY OF
RIVIERA srl , ALL RIGHTS RESERVED

LAST REV. DATE: 08/04/2024

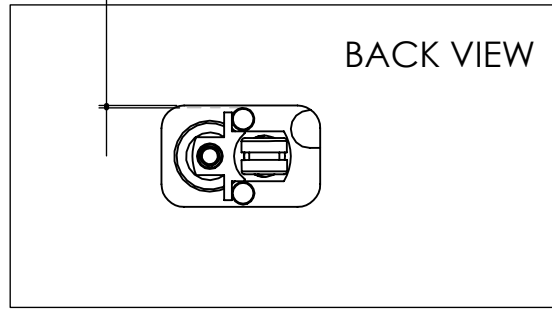
NAME:

RBBL5.24
Single Saddle Bass Bridge

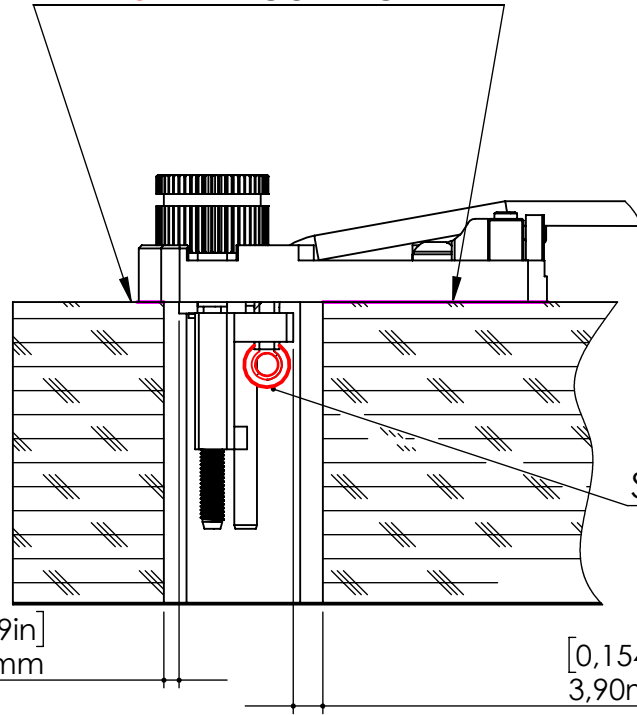
CONTACT AREA



[0,012in]
0,30mm
MIN Clearance
PIN > BODY



ATTENTION >>> CONTACT AREA



String Ball -End correct position

[0,079in]
2,00mm

[0,154in]
3,90mm

SCALE 1:1



PATENT n.102019000018467
DESIGN n.015047366-0001

THIS DRAWING IS UNDER PROPERTY OF
RIVIERA srl , ALL RIGHTS RESERVED

LAST REV. DATE: 08/04/2024

NAME:

RBBL5.24
Single Saddle Bass Bridge