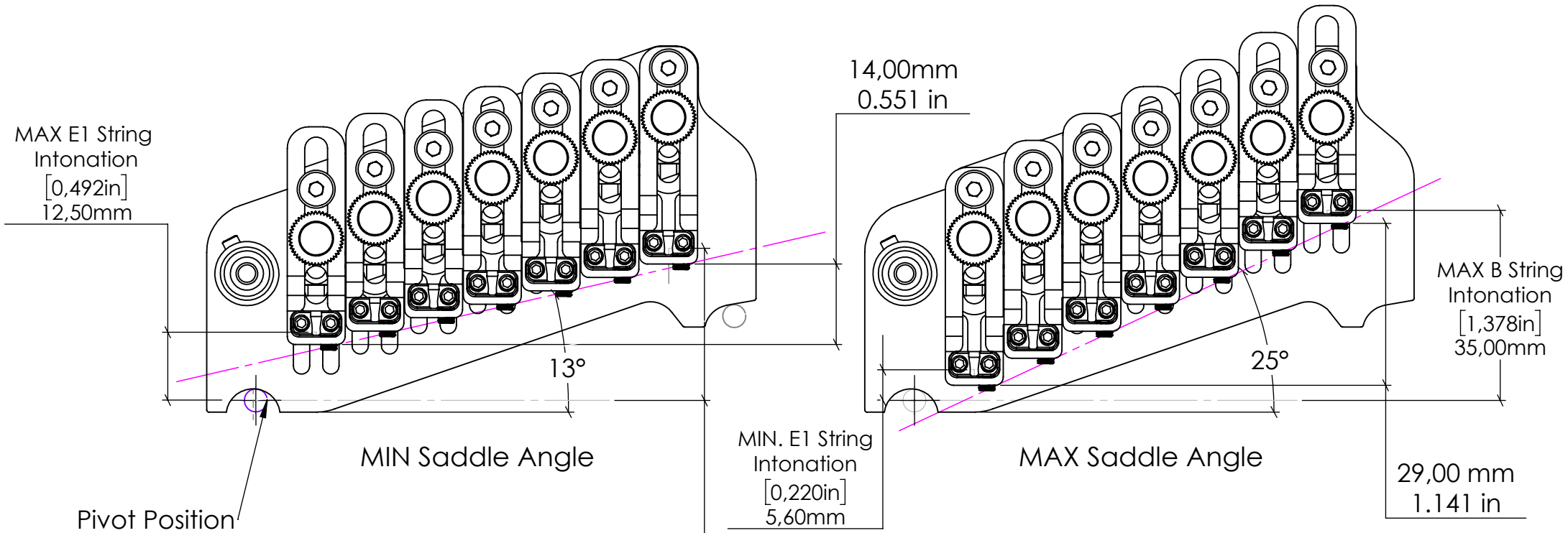


PATENT N.102019000018467
 DESIGN PATENT N.007567268-0001
 THIS DRAWING IS UNDER PROPERTY OF RIVIERA srl , ALL RIGHTS RESERVED
 LAST REV. DATE: 01/09/2023
 TOLLERANCE : ±0.150mm
 NAME:
RTS7M
7s Multiscale Tremolo

SCALE 1:1



RIVIERA

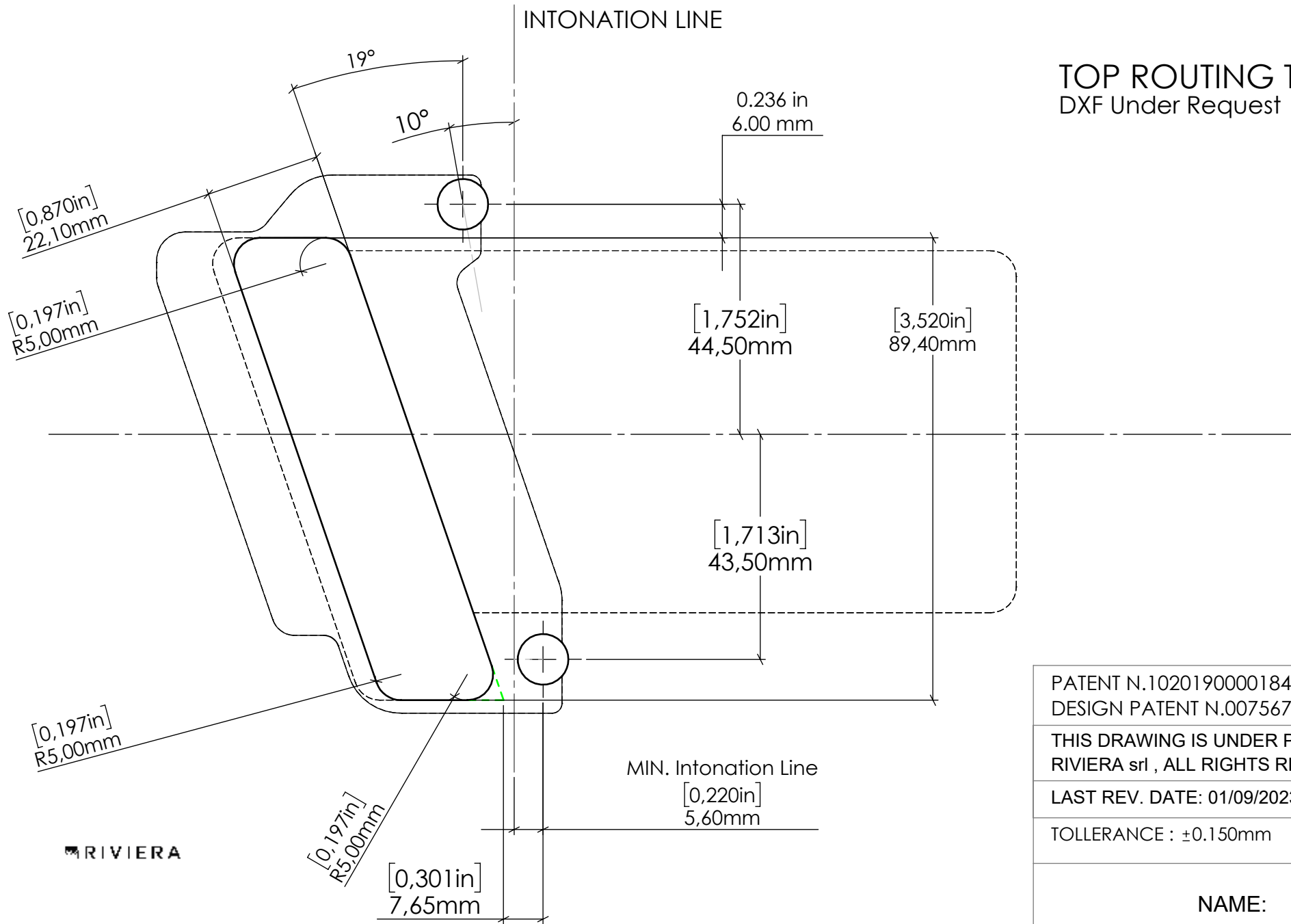
SCALE 1:1

PATENT N.102019000018467 DESIGN PATENT N.007567268-0001
THIS DRAWING IS UNDER PROPERTY OF RIVIERA srl , ALL RIGHTS RESERVED
LAST REV. DATE: 01/09/2023
TOLLERANCE : ±0.150mm
NAME: RTS7M 7s Multiscale Tremolo

INTONATION LINE

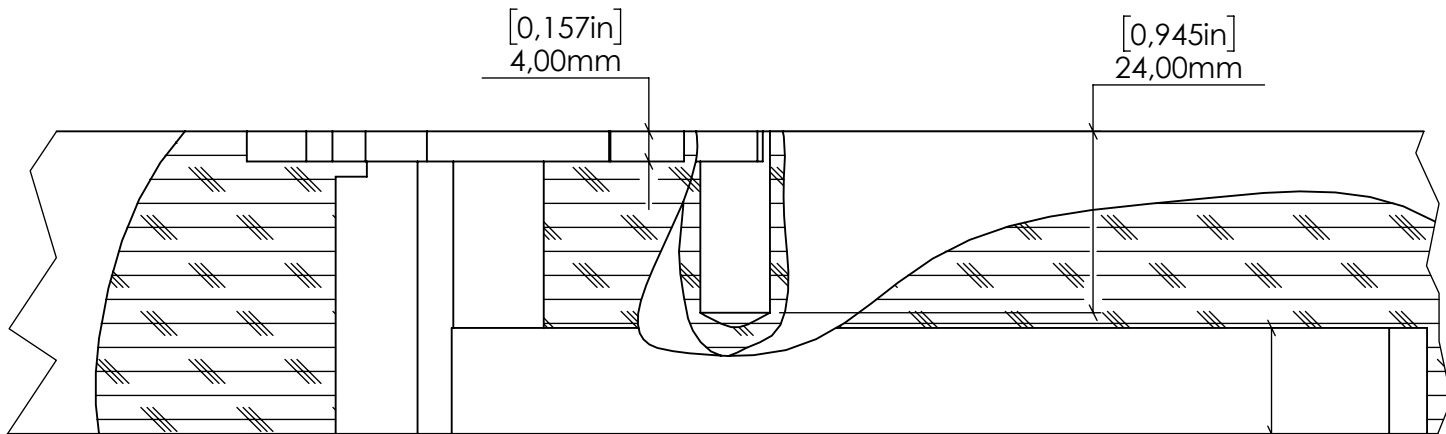
TOP ROUTING TEMPLATE

DXF Under Request



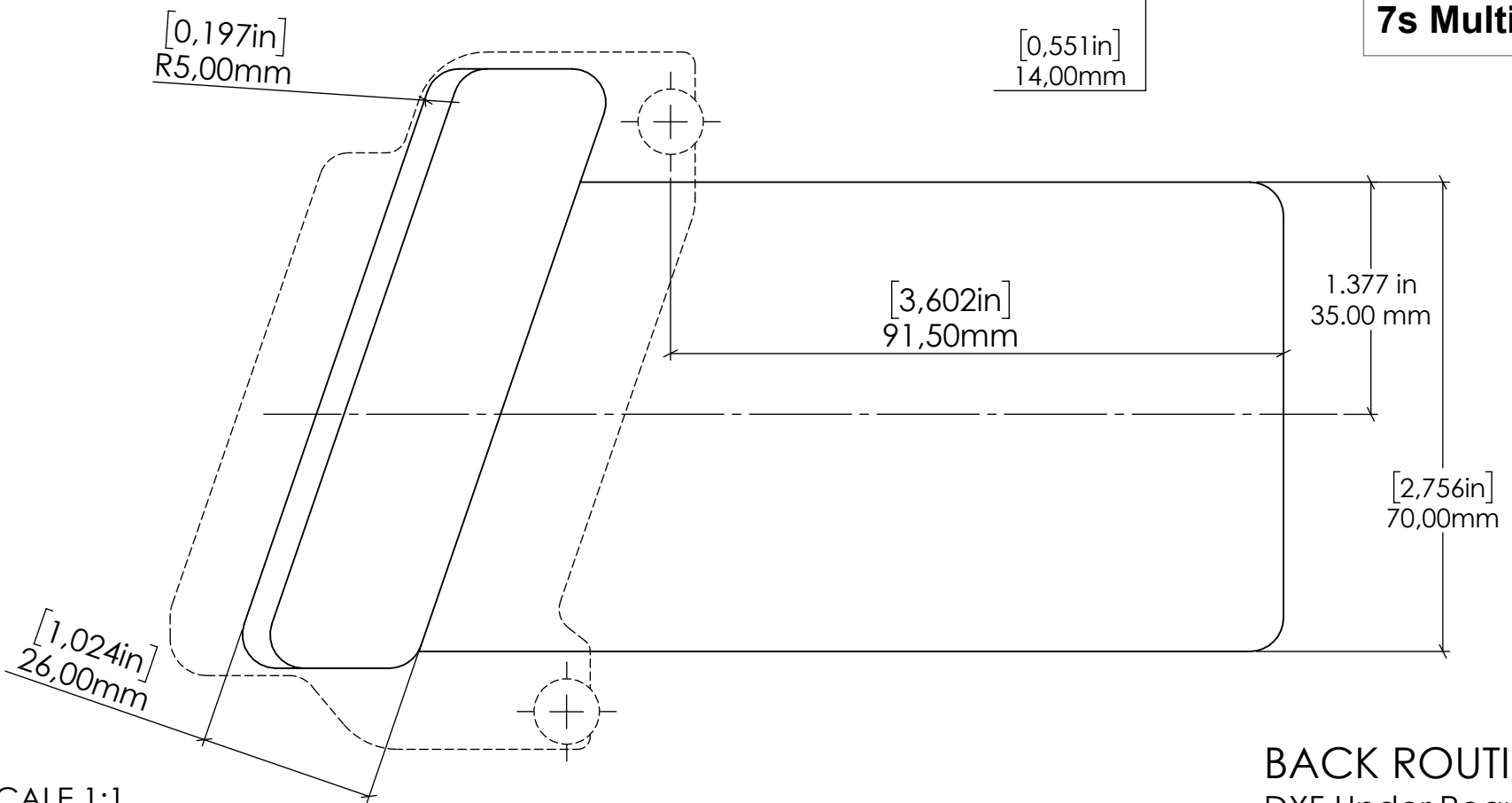
PATENT N.102019000018467 DESIGN PATENT N.007567268-0001
THIS DRAWING IS UNDER PROPERTY OF RIVIERA srl , ALL RIGHTS RESERVED
LAST REV. DATE: 01/09/2023
TOLLERANCE : ±0.150mm
NAME: RTS7M 7s Multiscale Tremolo

SCALE 1:1



PATENT N.102019000018467
 DESIGN PATENT N.007567268-0001
 THIS DRAWING IS UNDER PROPERTY OF
 RIVIERA srl , ALL RIGHTS RESERVED
 LAST REV. DATE: 01/09/2023
 TOLLERANCE : ±0.150mm

NAME:
RTS7M
7s Multiscale Tremolo



SCALE 1:1

BACK ROUTING TEMPLATE
 DXF Under Request