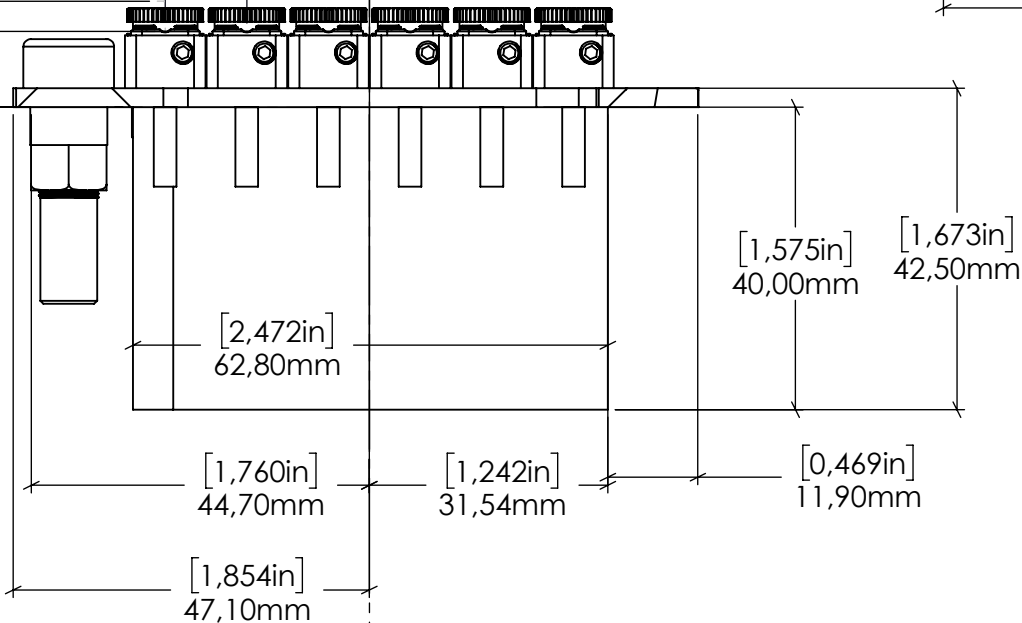


MAX STRING HEIGHT
[0,551in]
14,00mm

String Spacing
[0,425in]
10,80mm

MIN STRING HEIGHT
[0,394in]
10,00mm

SCALE 1:1



PATENT N.102019000018467
DESIGN PATENT N.007567268-0001

THIS DRAWING IS UNDER PROPERTY OF
RIVIERA srl , ALL RIGHTS RESERVED

LAST REV. DATE: 21/02/2024

TOLLERANCE: ±0.150 mm

RTS6M NAME:
6s Multiscale Tremolo

PATENT N.102019000018467
DESIGN PATENT N.007567268-0001

THIS DRAWING IS UNDER PROPERTY OF
RIVIERA srl , ALL RIGHTS RESERVED

LAST REV. DATE: 21/02/2024

TOLLERANCE: ± 0.150 mm

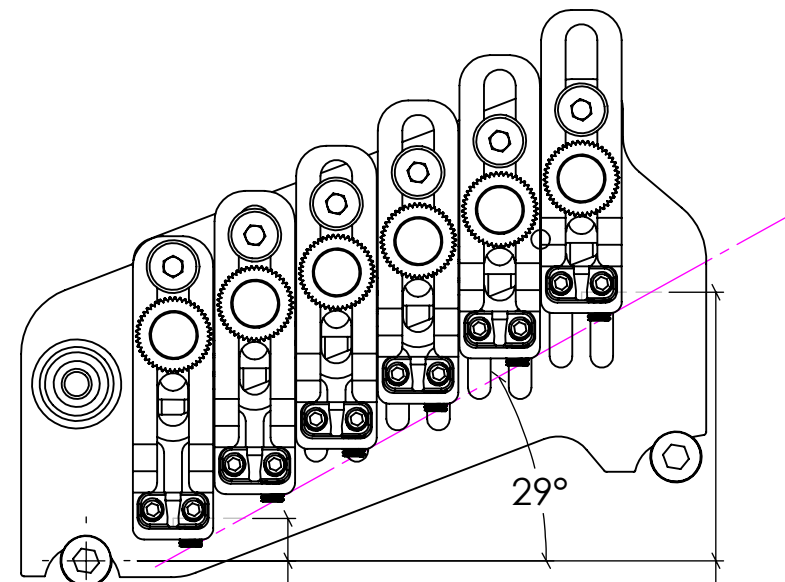
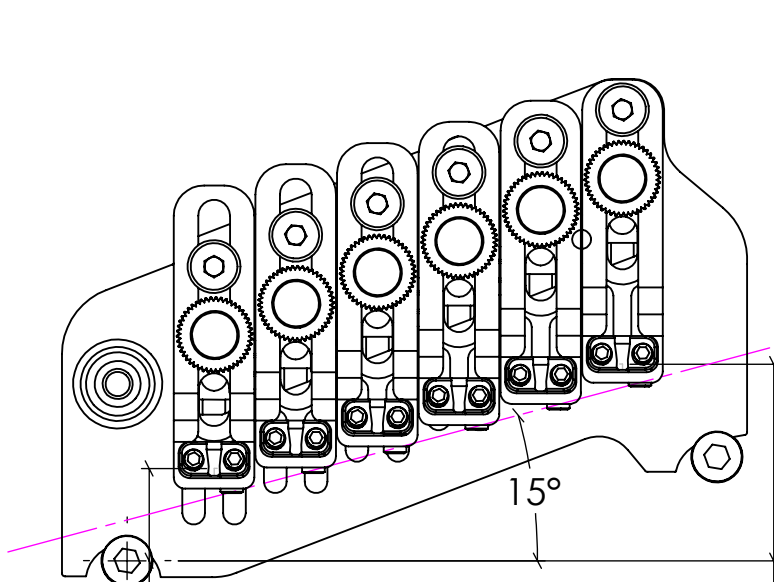


SCALE 1:1

NAME:
RTS6M
6s Multiscale Tremolo

MIN INTONATION

MAX INTONATION

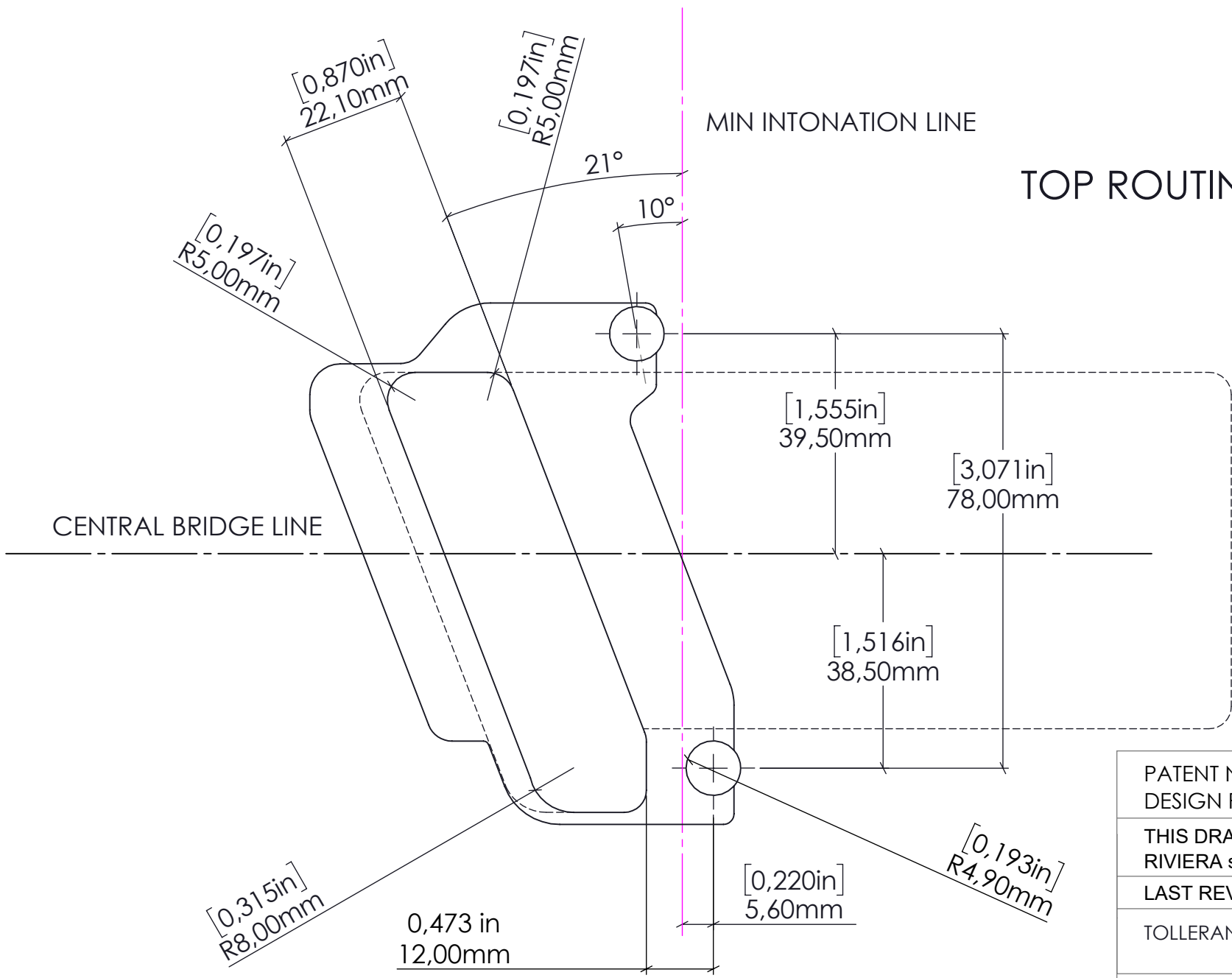


MAX E1 Intonation
[0,480in]
12,20mm

MIN E2 Intonation
[1,024in]
26,00mm

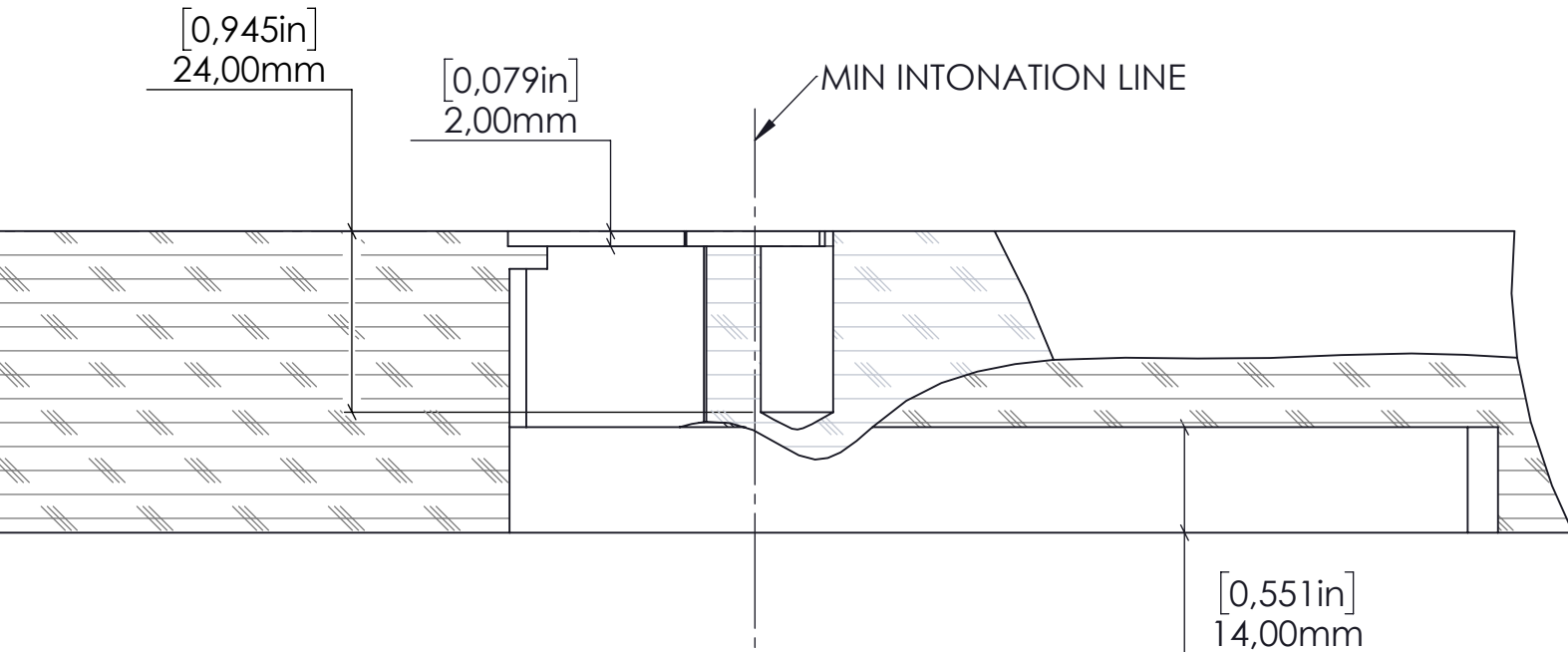
MIN E1 intonation
[0,220in]
5,60mm

MAX E2 Intonation
[1,398in]
35,50mm



TOP ROUTING TEMPLATE

PATENT N.102019000018467 DESIGN PATENT N.007567268-0001
THIS DRAWING IS UNDER PROPERTY OF RIVIERA srl , ALL RIGHTS RESERVED
LAST REV. DATE: 21/02/2024
TOLLERANCE: ± 0.150 mm
NAME: RTS6M 6s Multiscale Tremolo



PATENT N.102019000018467
 DESIGN PATENT N.007567268-0001

THIS DRAWING IS UNDER PROPERTY OF
 RIVIERA srl , ALL RIGHTS RESERVED

LAST REV. DATE: 21/02/2024

TOLLERANCE: ±0.150 mm

RTS6M NAME:
6s Multiscale Tremolo

BACK ROUTING TEMPLATE

